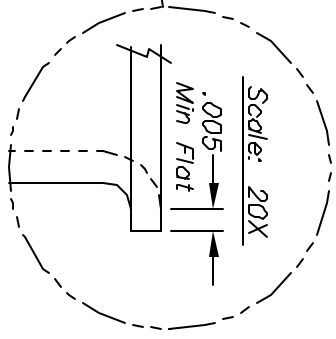
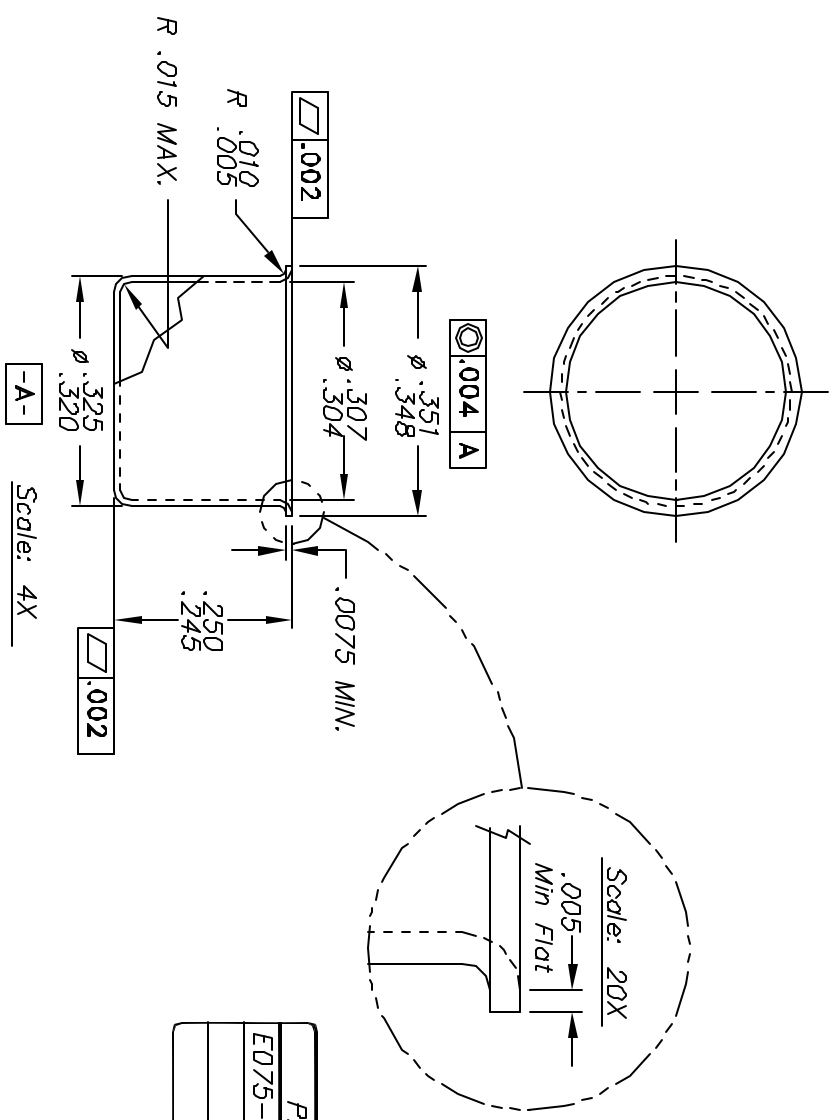
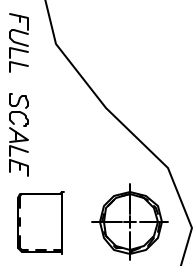


Date:	ECR #	Rev.
5/12/04	23412	B



- NOTES:
- 1) THE SURFACE OF THE FLANGE WILL BE CONTINUOUS AND FREE OF CRACKS.
 - 2) I.D. DIMENSION TO BE HELD FOR DEPTH OF .100 AFTER WHICH TOLERANCE OF +/- .005 PERMITTED.

PART NO.	MATERIAL	FINISH	CONDITION
E075-00CR-CUP	CA102	ENIPL	AS DRAWN



CHECKED:	
APPROVED:	
MATERIAL:	SEE BOX
PLATING:	SEE BOX
CLEANING:	SEE BOX

DWG. SIZE	PART NO.	REV.
A	E075-00CR-XXX	B
FILE NAME:	E075-00CR-CUP.DWG	
DR. BY:	ECR #	REV. DATE
B.R.A.		05/12/04
ORIGINAL DATE	SCALE	SHEET OF
09-11-96	As Noted	1 OF 1

A.T. WALL COMPANY
MCD Division
55 Service Avenue, Warwick, RI 02886 USA
(401) 739-0740 Fax <401> 732-5784
TLX TWX 710-382-1535